



Wood Replacement Gutter





Who We Are



Contractors

+



Boat Builders

=



Fiberglass Gutter

The Fiberglass Gutter Company is a manufacturer of the world's first wood replacement gutter system for residential use. In the beginning our main concern was to develop a solution for the continuing decline of wood gutter quality. Over time we have found that our gutter is compatible with all types of buildings and is quite simply, the best gutter you can put on your property.



Why Fiberglass

Fiberglass is becoming the preferred building material in many exterior applications:



- *Doors and Windows*
 - *Roofing*
- *Cornice, Columns & Custom Details*
 - *Shutters*
 - *Siding*
 - ***Gutter***



The Reasons are Simple

- *Superior corrosion resistance*
 - *High strength*
 - *Low weight*
 - *UV Protection*
- *Temperature/fire resistance*





Wood Gutter Issues



We have found that wood gutter is no longer considered a viable choice for gutter due to constant maintenance issues and quality issues with new growth wood



Why Fiberglass Gutter?



Falmouth, MA 2014



Wellesley, MA 2014

- The Fiberglass Gutter is custom molded from an actual wood gutter to retain the exact look but has many more benefits.
- Shown to the right is a comparison of a wood gutter vs. our fiberglass gutter™. The Northeast has the greatest potential for the heaviest rains with a recorded 18.00" in 24 hours.
- Our profiles allow for up to 40% more water capacity than the standard wood gutter.





Why Fiberglass Gutters?

No Rot, Rust or Corrosion



7 Year Old Wood Gutter
-Arlington, MA

Fiberglass is highly resistant to environmental extremes, unlike aluminum, wood and vinyl. Fiberglass does not rust and is highly resistant to corrosion. In fact, the non-corrosive properties of fiberglass give it a much longer life expectancy than metal, wood, and reinforced plastics. When exposed to extreme temperatures, salty or humid air, sun (ultraviolet light), or acidic chemicals, fiberglass, will last longer and perform better than all available alternatives.



Why Fiberglass Gutters?

No Leaking



Using our seaming process we stand behind a **lifetime warranty** that our gutters will never leak.



Why Fiberglass Gutters?

Seamless



Fiberglass Gutter is seamed internally and finished on the surface to create a permanent seamless appearance



Why Fiberglass Gutters?

	Fiberglass Gutter™	Aluminum	Vinyl/PVC	Wood
Overall Performance	****	**	*	***
Strength	Excellent 8 times stronger than vinyl; 3 times as strong as aluminum	Good	Fair	Excellent
Thermal Expansion	Excellent Low expansion and contraction rate assures consistent, watertight seams, splices miters and ends	Fair High expansion and contraction rate may cause seams to leak	Fair High expansion and contraction rate may cause seams to leak	Excellent Low expansion and contraction rate assures consistent, watertight seams, splices miters and ends
Impact Resistance	Excellent Withstands Impact without deformation	Fair Dents Easily	Fair Difficult to Repair	Good Can Be easily Repaired
Durability	Excellent Lifetime Warranty	Very Good Prone to corrosion in seacoast areas	Fair Difficult to Repair	Fair New Growth Wood Requires Constant Maintenance



Why Fiberglass Gutters?



THE FIBERGLASS GUTTER COMPANY

722 Washington St
Pembroke, MA 02358

Fiberglass Gutter Warranty

Courtesy of The Fiberglass Gutter Company

• Material Coverage

THE FIBERGLASS GUTTER COMPANY Inc. warrants to the homeowner(s) located at the address and on the date specified herein that the materials provided by THE FIBERGLASS GUTTER COMPANY Inc. will not peel, chip, crack, split, flake, blister under conditions of normal wear for a period of one-hundred (100) years from the date of installation. Should the materials fail to perform in accordance with the above standards, and under proper notification and inspection by THE FIBERGLASS GUTTER COMPANY Inc., THE FIBERGLASS GUTTER COMPANY Inc. shall at its sole option either repair, replace, refinish or refund any defective materials.

THE FIBERGLASS GUTTER COMPANY Inc. will assume one hundred (100%) percent of the material cost for validated claims made during the first five (5) years after installation. Beginning on the sixth year of the warranty period, THE FIBERGLASS GUTTER COMPANY Inc.'s share of such costs will be reduced to ninety (90%) percent and the homeowner's cost shall be ten (10%) percent of the then current cost. Each year thereafter through the twentieth (20) year THE FIBERGLASS GUTTER COMPANY Inc.'s share will cumulatively decrease from ninety (90%) percent by five (5%) percent increments per year.

• Labor Coverage

All installation provided by THE FIBERGLASS GUTTER COMPANY Inc. comes with a five (5) year warranty on labor. This covers all workmanship and takes effect on the day of job completion. THE FIBERGLASS GUTTER COMPANY Inc. does not warrant any damages caused by natural disaster, structural defects or damages caused by other individuals. Any gutter lengths greater than seventy-five (75) feet will not be warranted against the natural effect of expansion and contraction.

• Limitations

1. Excluded Damage

This warranty does not cover damage resulting from fire, flood, lightning, hail storm, windstorm, wind borne objects, earthquakes, salt spray or other acts of God. THE FIBERGLASS GUTTER COMPANY Inc. shall not be responsible for normal structural shrinkage or distortion; damage resulting from improper installation; vandalism; harmful chemicals, vapors or fumes; misuse; abuse; normal weathering or the homeowner(s) failure to provide regular cleaning and maintenance of the product or any other cause beyond the control of THE FIBERGLASS GUTTER COMPANY Inc.

2. Restricted Applications

This warranty does not cover the product when applied to motor/mobile home or other transportable structures.

3. Execution

The homeowner(s) has the duty to deliver payment in full for material and installation provided by THE FIBERGLASS GUTTER COMPANY Inc. in accordance with the payment terms set forth. (These being full amount due upon job completion.) If for any reason the payment falters, this warranty becomes null and void until full payment is restituted.

• Notice, Inspection, Remedies and Conditions

Should the homeowner(s) believe that the materials provided by THE FIBERGLASS GUTTER COMPANY Inc. contain manufacturing defects, they shall promptly present their claim in writing to: THE FIBERGLASS GUTTER COMPANY Inc., 722 Washington St, Pembroke, MA 02358

Gutter Warranty

Courtesy of THE FIBERGLASS GUTTER COMPANY Inc.

722 Washington St, Pembroke, MA 02358

The written notification must contain the homeowner(s) name and address, a brief description of the product and defect, and the date of installation. Upon receipt of notification, THE FIBERGLASS GUTTER COMPANY Inc. shall have the right to inspect the materials on the homeowner(s) premises to verify the condition. Within a reasonable time thereafter, THE FIBERGLASS GUTTER COMPANY Inc. shall notify the homeowner(s) whether the claim has been accepted and, if so, the manner in which it intends to remedy the problem. In the event that THE FIBERGLASS GUTTER COMPANY Inc. conclusively determines that the materials installed are not products provided by THE FIBERGLASS GUTTER COMPANY Inc., notwithstanding anything herein to the contrary, this warranty shall be null and void and the homeowner(s) sole recourse shall be to the true manufacturer/installer of the material.

• Exclusions and Limitations of Damages

THE FIBERGLASS GUTTER COMPANY Inc. makes no warranties except those set forth herein and shall not be liable for any incidental, special, or consequential damages incurred by any homeowner(s) as a result of a breach of any express or implied warranties. This writing contains the entire agreement between THE FIBERGLASS GUTTER COMPANY Inc. as a manufacturer/installer and the homeowner(s) and supersedes any other warranties, whether made by dealers, applicators, distributors, or other such persons. All implied warranties, which may arise under State or Federal law, are limited in duration to the terms herein to the extent permissible under the respective laws.





Color Options

Custom Gelcoat Color Options (Any Color Available)
3 Weeks Processing Time Required-Minimum Order Required

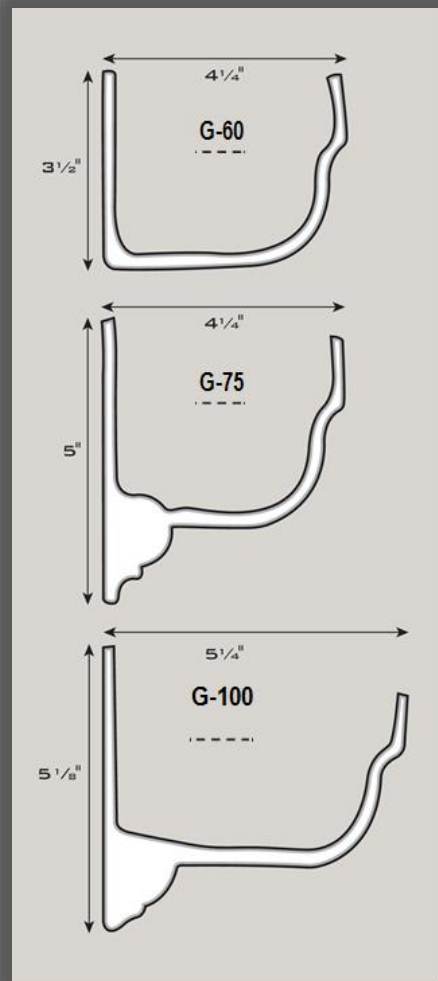


Please see our Painting Instructions at
www.fiberglassgutter.com

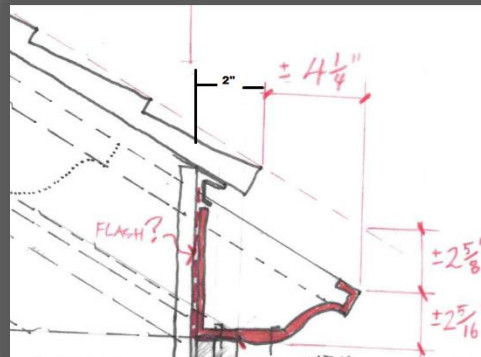


Profiles

Standard Profiles



Custom Profiles and Radius Gutters



We work with Homeowners, Architects and Contractors to develop custom profiles for use in new construction and historic renovation



Manufacturing



40 Foot Molds



R&D Miter Wall

All Fiberglass Gutter is hand laid and made at our factory in the United States



Fiberglass Gutter™ contains isophthalic (UV protected) Gel-Coat (inside and outside), (3) three layers of fiberglass coated with Orthophaltic Resin to ensure the highest quality finished product.

All of our manufacturing material is Lloyds of London registered



Custom Mold



Stock Trailer



All of our manufacturing follows the guidelines of the American Composites Manufacturing Association





Installation

Our Installation Kit includes all parts necessary to install 250' of gutter

Quantity	Part Number	Description
1 Gallon	040-4215	Polyester Resin
2 oz	FG-01-003	Hardener
1 Quart	944W005	Gelcoat
10	MC10oz	Mixing Cups
25 Pieces	2zMAT	Fiberglass Mat
25 Pieces	Bx1708	Bi-Axial Fiberglass
1 Gallon	428333	Acetone
1 Box	353915	Gloves
12	318588	Brushes (Artist)
12	302275	Brushes (2")
4 lb	398001	Rags
1 Roll	351203	Masking Tape
1 Roll	357031	Masking Plastic
1	SG18549	Instant Adhesive
3 oz	KG-43-420	5200
1 (10)	MX293854	Mixing Sticks
1	100378	Qt. Container
2	100377	Gallon Container
1	EC-129	Endcap
1	S-B18	Stand Off Blocks
80	GRK1	Fasteners

Installation of the Fiberglass Gutter requires some knowledge of working with fiberglass. We offer training and certification for companies interested in becoming certified installers





Installation

Step 1: Prep Fascia and Install Stand-Off Blocks





Installation

Step 2: Cut the gutter to fit





Installation

Step 3: Hang Gutter



Note: Use Approved Fastener Only



There is no need to pre-drill holes. Fasteners are secured through back of the gutter, stand-off block, fascia and into the rafter tail



Installation

Step 4: Make sure gutter will flow correctly





Installation

Step 5: Finish All Seams, Miters, Returns

Miter and Endcap Instructions



NOTE: This is a guide only and The Fiberglass Gutter Company is not responsible for improper installation or use of materials. Please refer to complete instruction manual for further details.

Step 1: Cut Miter to desired length and angle

Step 2: Sand inside of gutter for a distance of 3" from the cut until the surface is dull on both pieces you are joining

Step 3: Join the pieces together and fasten to wall. Use Super Glue to temporarily hold the two profiles together.

Step 4: Tape outside of seam with masking tape and use masking plastic to protect surrounding area

Step 5: Prepare Resin (Good Tip: 4oz of Resin to 5ml of Hardener) (Depending on temperature a mixture of 2% hardener by volume to resin is recommended at an average temperature of 70 degrees. For colder conditions the catalyst can be increased to a maximum of 3%. For temperatures under 50 degrees the use of an additional heat source is required. We recommend leaving the resin and catalyst in a temperate location prior to application and using a standard heat gun at the time of application.

Step 6: On a piece of cardboard or tray apply resin with brush to the fiberglass mat, then apply to the biaxial fiberglass. Put the biaxial fiberglass on top of mat (smooth side up). Mat must be put into gutter first to ensure best bond.

Step 7: Bring Tray with wet resin to joint with the brush and wet out area.

Step 8: Lay pieces in gutter. Center pieces on seam for length of the interior of the gutter. Use brush to work any air out at joint. When fiberglass is sitting flat the seam is ready for curing.

Step 9: When the fiberglass reaches the consistency of cheese cut excess fiberglass with a utility knife.

Step 10: Remove masking tape and masking plastic.

Step 11: Prepare outside of joint by lightly sanding and cleaning with acetone on a rag

Step 12: Prepare putty by mixing it with 2% MEKP Catalyst. Use a scrap piece of cardboard and spreader to mix and apply to area needing filler. Remove Excess with Acetone.



Installation

Step 6: Install Drop

Outlet Installation Instructions



- 1) Measure and Mark where you want to locate the outlet
- 2) Place the Hole Saw (2-3/8") underneath the gutter (on the flat of the gutter with an 1/8" space for the elbow) and make the hole.

- 3) Sand the inside of the hole. (You will need to do this to get the outlet to fit snug)
- 4) Take a piece of 2" PVC Pipe (I.D) and cut a 2.5" length.

- 5) Sand the PVC pipe where it meets the gutter
- 6) Using a rubber mallet or hammer lightly tap the outlet into place (The outlet should sit no more than 1/16" above the inside of the gutter)

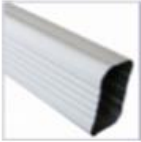
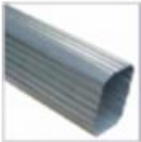
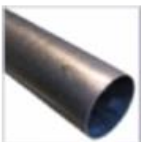
- 7) Apply a small bead of fast cure 5200 to both sides of the outlet





Installation

Types of downspouts we offer:

	<p>Aluminum Downspouts</p>		<p>Copper Downspouts</p>
	<p>Copper Penny Aluminum Downspouts</p>		<p>Copper Clad Stainless Steel Downspouts</p>
	<p>Euro Copper Downspouts</p>		<p>Galvalume Downspouts</p>
	<p>Galvanized Steel Downspouts</p>		<p>Designer Copper Aluminum Downspouts</p>
	<p>Lead Coated Copper Downspouts</p>		<p>Freedom Gray Copper Downspouts</p>
	<p>Paint Grip Steel Downspouts</p>		<p>Ornamental Downspouts</p>



LEED

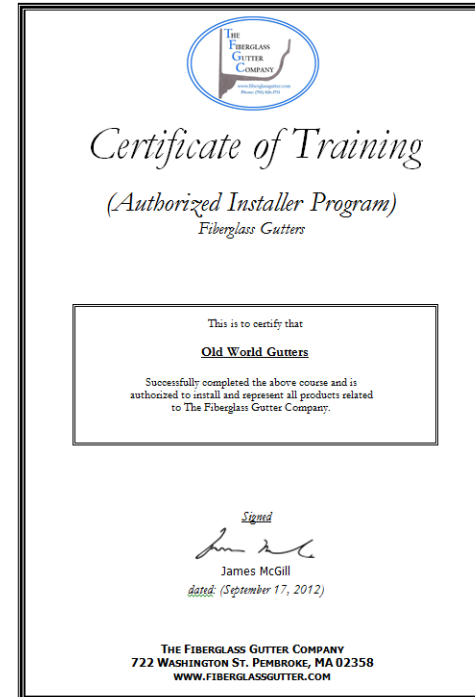


Green building has become an increasingly important focus for new construction. The [LEED Program](#) (Leadership in Energy and Environmental Design) was developed by the U.S. Green Building Council to provide a framework for implementing practical and measurable green building solutions. Compared to other traditional materials such as aluminum, vinyl or wood, the total life-cycle assessment of fiberglass contributes to its viability as a green building product. When consideration is taken for the energy consumed in production, installation and environmental sustainability, fiberglass products generate a much smaller impact than other traditional materials and can be used in ways that are less energy or carbon intensive.

Fiberglass is often chosen over other construction materials for having a life cycle that exceeds other products by remaining resistant to rust, rot and corrosion. By increasing the useful lifespan compared to other products, fiberglass's durability reduces the need for replacement, repair or repainting. It is this durability and low maintenance of fiberglass that really mark it as environmentally sustainable. Using it as a replacement for wood eliminates toxins from painting, staining, or finishing or the need for pesticides since it is naturally resistant to termites or other wood-consuming denizens.



Education



The Fiberglass Gutter Company is always seeking qualified installers for our product. Through factory and on-site training we work with many different companies that are interested in understanding the details of installing fiberglass gutter.



Education



The Fiberglass Gutter Company is part of the Continuing Education Program with the American Institute of Architects (AIA). Through our partnership we offer a program where architects receive required credits hours while learning about fiberglass gutter.



Gallery



Pilgrim Drive - Winchester, MA



Gallery



Monument St - Concord, MA



Gallery



Old Harbor Lane - Chatham, MA



Gallery



Monument St - Concord, MA



Gallery



Harbor House - Woods Hole Rd - Falmouth, MA



Gallery



Beacon Street - Brookline, MA



Gallery



Nauset Rd - Orleans, MA



Gallery



Bridge Rd - Eastham, MA



Gallery



Bow St - Concord, MA



Gallery



Norton Point - Manchester-By-The-Sea, MA



Gallery



Eel River Way - Falmouth, MA



Gallery



Old Harbor - Chatham, MA



Gallery



Heron Way - Duxbury, MA



Gallery



Leavitt St-Hingham, MA



Gallery



Commercial Street - Provincetown, MA



Gallery

As Seen On:

This Old House



The Arlington Italianate Project
Episode 3320 : March 20, 2014

As Seen In:

This Old House



Autographed
Fiberglass Gutter
By Norm Abram

April 2014 Issue

Contact Us



722 Washington St

Pembroke, MA 02358

(781) 826-3711

Email: info@fiberglassgutter.com

Web: www.fiberglassgutter.com